

High efficiency LED Bulkhead ideally suited to both internal and external application. Die cast aluminum construction with Opel UV stabilized polycarbonate diffuser.

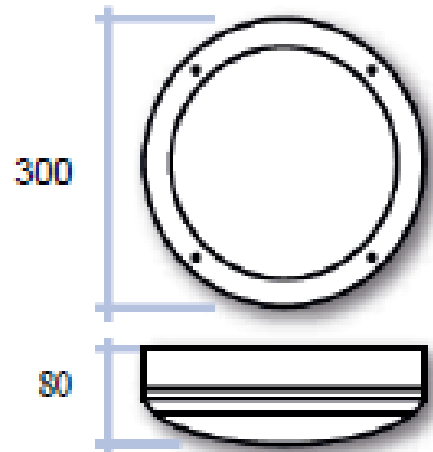
The product is CE certified and all materials are in conformity with RoHS standard.

Applications : Security and general access, Architectural features, Exterior lighting, Footpaths, tunnels Building perimeters and other high- grade lighting areas.



General

Dimensions	Ø300X80
Voltage	100-240 AC 50/60HZ
Certification	CE, ROHS
Warranty	3 Years
IP Rate	IP 65



Performance

Colour Rendering	Ra > 80
Longevity	50,000 hours
Power Factor Cos	0.9
Exit Lumens	95lm/W

Available Options

Wattage	10W 20W, 30W, E27
Colour	3000-6000K
Bezel	Frosted Diffuser
Body	PC and Aluminum

